

Connector

IEEE 1394 Series

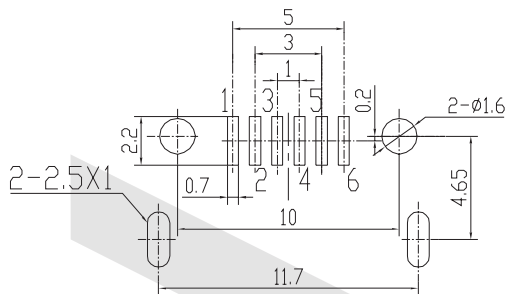
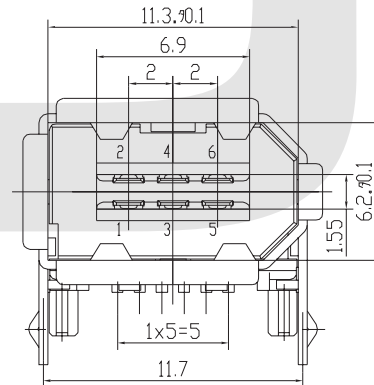
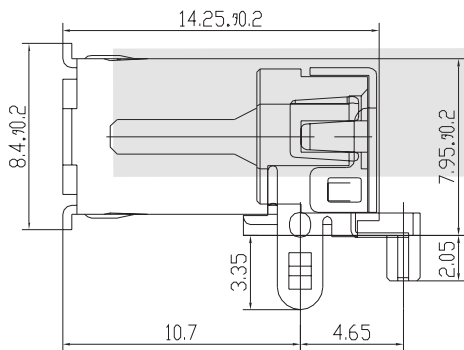
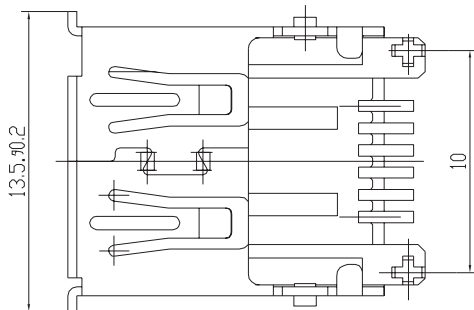
KLS1-1394-6FB IEEE 1394 6 Pin Receptacle SMT Type

Material:

Housing: Thermoplastic, UL94V-0
Contact: Copper Alloy
Shell: Copper Alloy
Pin Plated: Gold 3u" over 50u" nickel

Electrical Characteristics:

Voltage Current Rating: 1.5AMP.40V AC
Insulation Resistance: 500MΩ Min
Contact Resistance: 50mΩ Max
Dielectric Withstanding Voltage: 500V AC
Temperature Range: -20°C ~+85°C



5	G	1394P.IH BACK COVER	1	08F
4	W	1394P.IH SHIELD	1	H65Y
3	J	1394H BACK FRONT	3	H65Y
2	J	1394H FRONT PIN	3	H65Y
1	X	1394H INSERT	1	PA66+30%GF
NO.	CODE	P/N	QTY	MATERIAL

ORDER INFORMATION

Product NO.: KLS1 - 1394-6FB-B

Pos. NO.
IEEE 1394 TYPE

Color: W=WHITE B=BLACK